

# MOROCCAN VASES | MOROCCAN VASE 1 - SUSPENDED | MOROCCAN-1-S



## DESCRIPTION

A collection of petite lamps inspired by the forms and colours of Moroccan metal vases. This version is the most elaborate and is illuminated by two G9 Halogen or 3W LED lamps within a Pyrex glass balls.

## PRODUCT SIZE

SHADE SIZE: 330W X 660H MM / TOTAL HEIGHT: 1000MM

## PACKAGING DIMENSIONS

460MM(W) X 460MM(L) X 330MM(H)



## LAMP TYPE & NO

2 X G9-HALOGEN 25-60 WATT LAMPS (66-120W) OR 3W LED

CLASS II  
IP RATING 54  
QC RATING 21

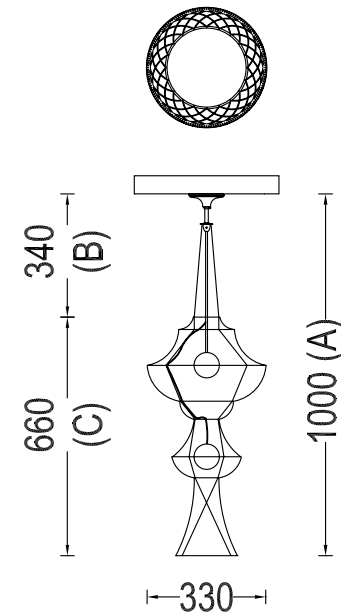
VOLTAGE RANGE  
110 - 240 V

PRODUCT MARKS & RATINGS



WEIGHT 2.1KG  
PACKED 5.1KG WEIGHT

## TECHNICAL DRAWING



## INTERACT

### SELECT COLOUR

- SILVER \*
- BRASS \*
- COPPER \*
- SMOKE \*
- MIXED METALIC \*
- RUST \*
- WHITE
- RED
- BLACK

\* METALLIC

### CUSTOMISE DIMENSIONS

A

B

### LAMP TYPE

QUANTITY

### ADDITIONAL COMMENTS

WEB LINK