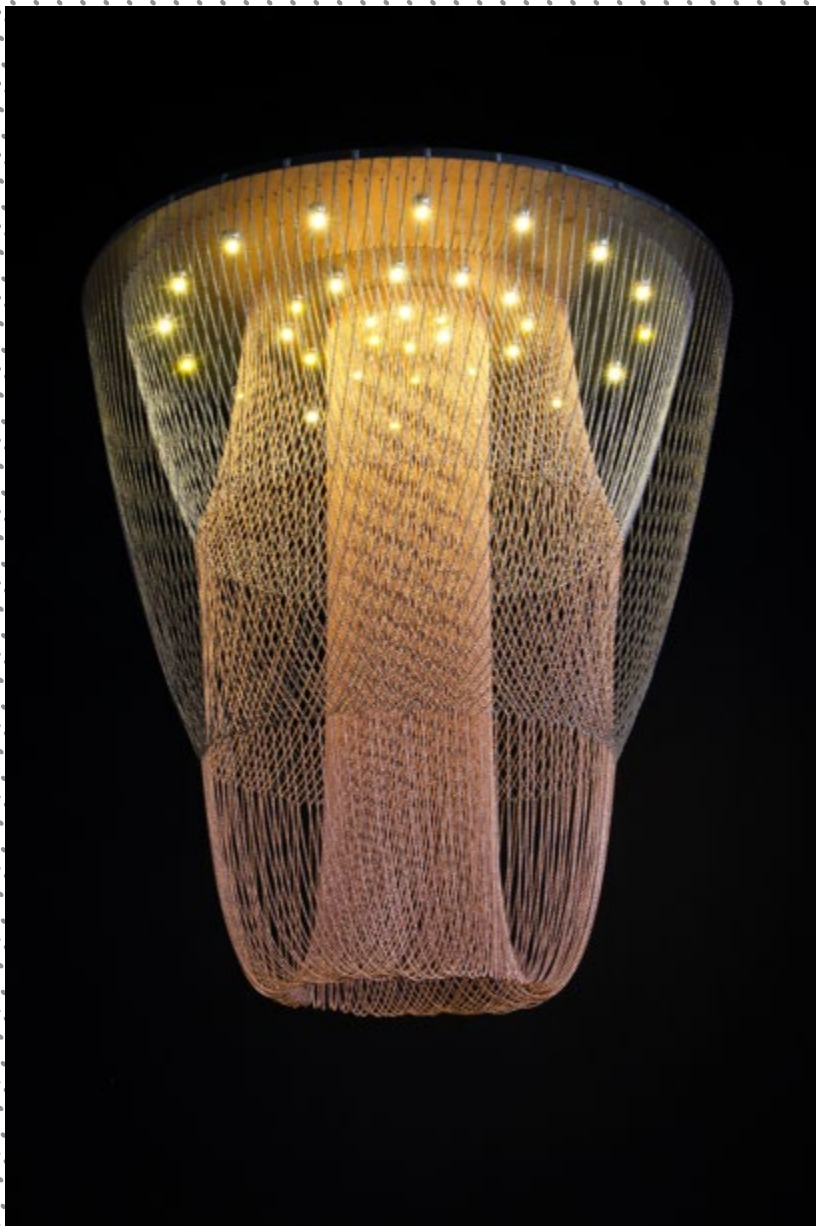


HALO | HALO - CEILING MOUNTED - 1000 | HALO-1000-C



DESCRIPTION

A futuristic ghostlike semi transparent form. The success of this design results from an ingenious clip device which has enabled us for the first time to attach the ball chain to itself! This allows for dynamic and distorted curves to be created. The idea is inspired by Antoni Gaudi who used inverted chain models in the structural design for the Sagrada Familia.

PRODUCT SIZE

SHADE SIZE: 1000W X 1070H MM / TOTAL HEIGHT: 1090MM

PACKAGING DIMENSIONS

1140MM(W) X 1140MM(L) X 390MM(H)



LAMP TYPE & NO

36 X G4-LED 12V 3 WATT LAMPS (108W) LED ONLY

CLASS III
IP RATING 52
QC RATING 31

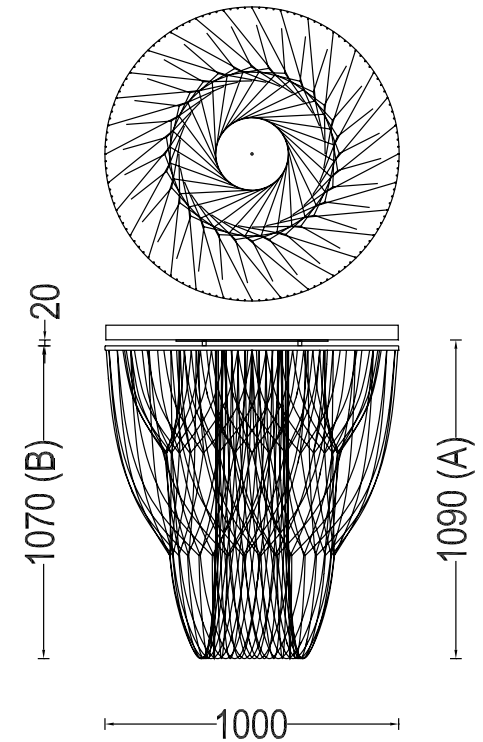
VOLTAGE RANGE
12V

PRODUCT
MARKS &
RATINGS



WEIGHT 31KG
PACKED 46KG
WEIGHT

TECHNICAL DRAWING



INTERACT

SELECT COLOUR

- SILVER *
- BRASS *
- COPPER *
- SMOKE *
- MIXED METALIC *
- RUST *
- WHITE
- RED
- BLACK

* METALLIC

CUSTOMISE DIMENSIONS

A

B

LAMP TYPE

QUANTITY

ADDITIONAL COMMENTS

WEB LINK