

# SCALLOP WILLOW | SCALLOP WILLOW 280 TABLE LAMP | SCA-WIL-280(MED)-TBL



## DESCRIPTION

A 280mm Dia. simple classic 'scalloped-willow' table lamp. Made from lasercut stainless steel frames, chrome plated or lacquered, solid brass components and ballchain in several optional finishes. Illuminated by a pyrex glass ball containing a G9-Halogen or LED lamp.

## PRODUCT SIZE

SHADE SIZE: 280W X 500-700H MM / TOTAL HEIGHT: 750MM

## PACKAGING DIMENSIONS

400MM(W) X 400MM(L) X 870MM(H)



## LAMP TYPE & NO

1 X G9-HALOGEN 33-60 WATT LAMPS (33-60W) OR LED

CLASS II  
IP RATING 20  
QC RATING 21

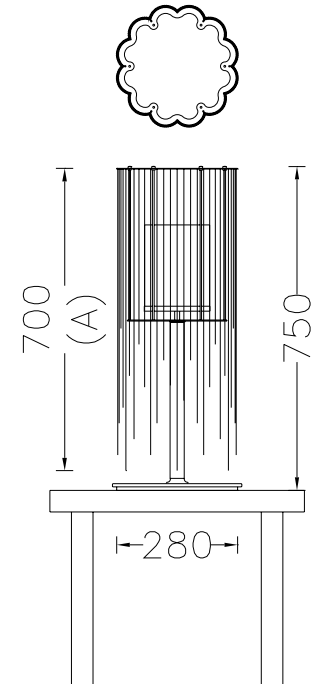
VOLTAGE RANGE  
113 - 240V

PRODUCT MARKS & RATINGS



WEIGHT 9KG  
PACKED 14KG  
WEIGHT

## TECHNICAL DRAWING



## INTERACT

### SELECT COLOUR

- SILVER \*
- BRASS \*
- COPPER \*
- SMOKE \*
- MIXED METALIC \*
- RUST \*
- WHITE
- RED
- BLACK

\* METALLIC

### CUSTOMISE DIMENSIONS

A

### LAMP TYPE

QUANTITY

### ADDITIONAL COMMENTS