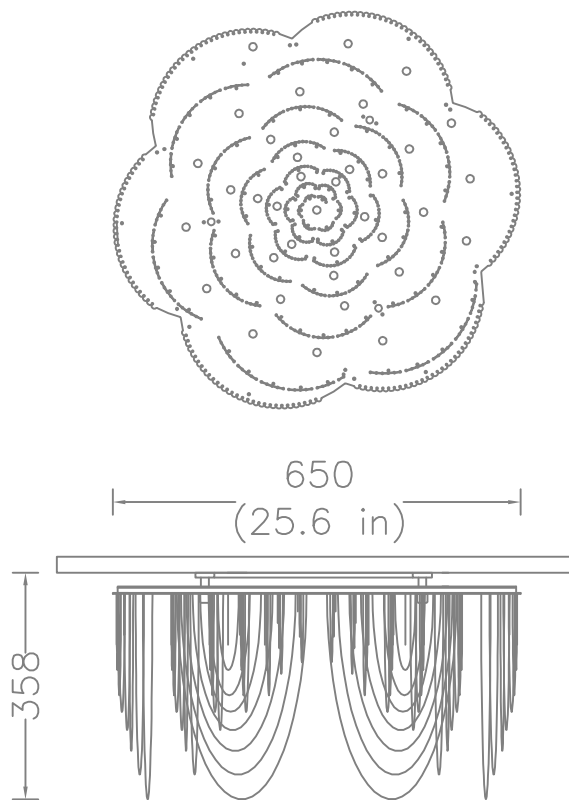




# LED CHANDELIERS ROSE650-Looped willowlamp



## SPECIFICATION

**LED CHANDELIERS (650mm dia)**  
**MODEL (ROSE 650 - Looped)**  
**Straight hanging chain version**

*Description* Laminated composite flat chandelier with integrated LED system comprising 39 dimmable 1 watt LED's. Chain curtains are looped to form 'petals'

Assembly Code	P-LED1W-FIX-MULTI (ROSE-650 Looped)
Class	III
*IP Rating (Protection rating)	64
*QC Rating (Quality rating)	32
Lamp Type & No	39 x 1W LED's 39W Total Remote dimmer only
Voltage Range	12V
Weight (packed weight)	10 kg. 13 kg.
Packaging Dimensions	780x780 x 230mm
Chain Colour & Type Options	 Silver Brass Smoke Rust White Red Black
Product Marks	

\* See Appendix