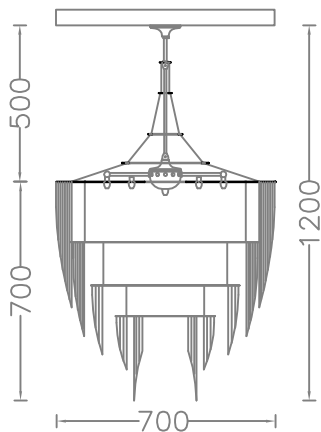
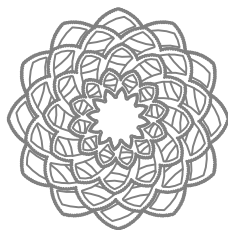


# PROTEA CHANDELIER 700

willowlamp



**PROTEA-700**

## SPECIFICATION

**COLLECTION:** Protea Chandelier  
**MODEL:** PROTEA-700

**Protea Chandelier 700mm Dia.**

*Description* Protea flower inspired Chandelier made with stainless steel and, brass components, ballchain (see options chart) and 13 fixed G9 Halogen lamps.

Assembly Code	P-HALG9-FIXED-13 - PROTEA-700)
Class	I
*IP Rating (Protection rating)	20
*QC Rating (Quality rating)	21
Lamp Type & No	13 x G9 Halogen 13 x 25W - 325W
Voltage Range	110-220V
Weight (packed weight)	18 kg. 20 kg.
Packaging Dimensions	780x780 x 230mm
Chain Colour & Type Options	
Product Marks	

\* See Appendix

## TAILORING

<b>A:</b>	<b>Other Notes</b>
<b>B:</b>	
<b>C:</b>	
<b>D:</b>	