

PROTEA CHANDELIERS | PROTEA - 500 - CEILING MOUNTED | PROTEA-500-C



DESCRIPTION

A ceiling mounted chandelier inspired by the South Africa's national flower the `Protea`. Made from lasercut stainless steel frames, chrome plated or lacquered, solid brass components and ballchain in several optional finishes. Illuminated by 7 surface mounted G9 Halogen lamps.

PRODUCT SIZE

SHADE SIZE: 500W X 500H MM / TOTAL HEIGHT: 520MM

PACKAGING DIMENSIONS

610MM(W) X 610MM(L) X 330MM(H)



LAMP TYPE & NO

7 X G9-HALOGEN 18-40 WATT LAMPS (126-280W) OR LED

CLASS I
IP RATING 20
QC RATING 21

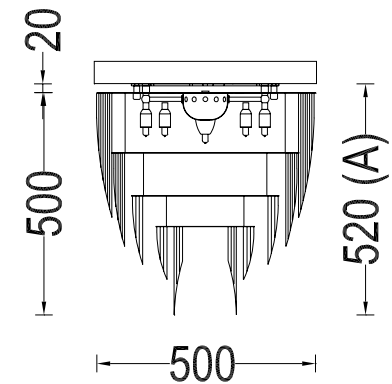
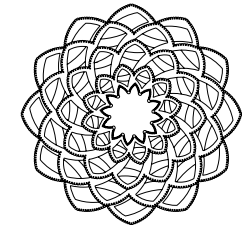
VOLTAGE RANGE
110 - 240V

PRODUCT MARKS & RATINGS



WEIGHT 8KG
PACKED WEIGHT 13KG

TECHNICAL DRAWING



INTERACT

SELECT COLOUR

- SILVER *
- BRASS *
- COPPER *
- SMOKE *
- MIXED METALIC *
- RUST *
- WHITE
- RED
- BLACK

* METALLIC

CUSTOMISE DIMENSIONS

A

LAMP TYPE

QUANTITY

ADDITIONAL COMMENTS