

# PROTEA CHANDELIERS | PROTEA - 1000 - SUSPENDED | PROTEA-1000-S



## DESCRIPTION

A suspended chandelier inspired by the South Africa's national flower the 'Protea'. Made from lasercut stainless steel frames, chrome plated or lacquered, solid brass components and ballchain in several optional finishes. Illuminated by 19 surface mounted G9 Halogen lamps.

## PRODUCT SIZE

SHADE SIZE: 1000W X 950H MM / TOTAL HEIGHT: 1650MM

## PACKAGING DIMENSIONS

1140MM(W) X 1140MM(L) X 390MM(H)



## LAMP TYPE & NO

19 X G9-HALOGEN 18-40 WATT LAMPS (342-760W)  
OR LED

## CLASS I

IP RATING 20

QC RATING 21



## VOLTAGE RANGE

110 - 240V

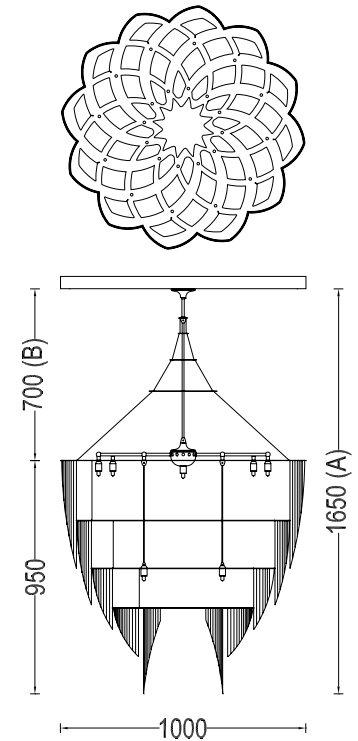
PRODUCT  
MARKS &  
RATINGS



WEIGHT 26KG

PACKED 40KG  
WEIGHT

## TECHNICAL DRAWING



## INTERACT

### SELECT COLOUR

- SILVER \*
- BRASS \*
- COPPER \*
- SMOKE \*
- MIXED METALIC \*
- RUST \*
- WHITE
- RED
- BLACK

\* METALLIC

### CUSTOMISE DIMENSIONS

A

B

### LAMP TYPE

QUANTITY

### ADDITIONAL COMMENTS