

PROTEA CHANDELIERS | PROTEA - 1000 - CEILING MOUNTED | PROTEA-1000-C



DESCRIPTION

A ceiling mounted chandelier inspired by the South Africa's national flower the `Protea`. Made from lasercut stainless steel frames, chrome plated or lacqured, solid brass components and ballchain in several optional finishes. Illuminated by 19 surface mounted G9 Halogen lamps.

PRODUCT SIZE

SHADE SIZE: 1000W X 950H MM / TOTAL HEIGHT: 970MM

PACKAGING DIMENSIONS

1140MM(W) X 1140MM(L) X 390MM(H)



LAMP TYPE & NO

19 X G9-HALOGEN 18-40 WATT LAMPS (342-760W)
OR LED

CLASS I

IP RATING 20

QC RATING 21



VOLTAGE RANGE

110 - 240V

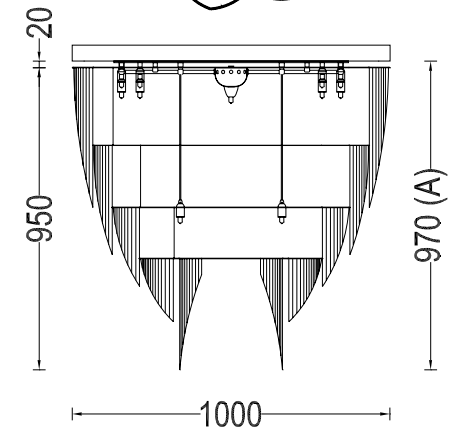
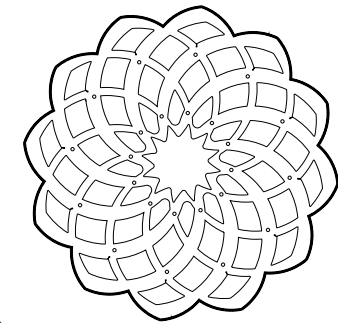
PRODUCT
MARKS &
RATINGS



WEIGHT 28KG

PACKED 42KG
WEIGHT

TECHNICAL DRAWING



INTERACT

SELECT COLOUR

- SILVER *
- BRASS *
- COPPER *
- SMOKE *
- MIXED METALIC *
- RUST *
- WHITE
- RED
- BLACK

* METALLIC

CUSTOMISE DIMENSIONS

A

LAMP TYPE

QUANTITY

ADDITIONAL COMMENTS