

MOROCCAN VASES | MOROCCAN VASE 3 LARGE - SUSPENDED | MOROCCAN-3-LRG-S



DESCRIPTION

A collection of medium sized pendant lamps inspired by the forms of and colours of Moroccan metal vases. This version is the most elaborate and is illuminated by a G9 Halogen or G9 3W LED lamp within a Pyrex glass ball. Alternatively E27 LEDs can also be specified.

PRODUCT SIZE

SHADE SIZE: 375W X 615H MM / TOTAL HEIGHT: 1125MM

PACKAGING DIMENSIONS

610MM(W) X 610MM(L) X 330MM(H)



LAMP TYPE & NO

1 X G9-HALOGEN 25-60 WATT LAMPS (33-60W) OR
G9 3W LED - OR 1 X E27 LED

CLASS II
IP RATING 54
QC RATING 21

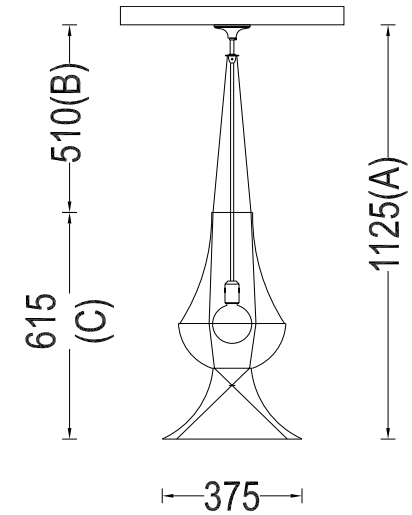
VOLTAGE RANGE
110 - 240 V

PRODUCT
MARKS &
RATINGS



WEIGHT 2.2KG
PACKED 7.2KG
WEIGHT

TECHNICAL DRAWING



INTERACT

SELECT COLOUR

- SILVER *
- BRASS *
- COPPER *
- SMOKE *
- MIXED METALIC *
- RUST *
- WHITE
- RED
- BLACK

* METALLIC

CUSTOMISE DIMENSIONS

A

B

LAMP TYPE

QUANTITY

ADDITIONAL COMMENTS

WEB LINK