

# MOONFLOWER CHANDELIERS | MOONFLOWER - 700 | MOON-700-S



## DESCRIPTION

A chandelier design based on the form of the Moonflower. Made from lasercut stainless steel frames, chrome plated or lacquered, solid brass components and ballchain in several optional finishes. Illuminated by suspended cluster arrangement of 5 pyrex glass balls containing G9-Halogen lamps.

## PRODUCT SIZE

SHADE SIZE: 700W X 580H MM / TOTAL HEIGHT: 950MM

## PACKAGING DIMENSIONS

810MM(W) X 810MM(L) X 330MM(H)



## LAMP TYPE & NO

5 X G9-HALOGEN 18-40 WATT LAMPS (90-200W) OR LED

CLASS II  
IP RATING 54  
QC RATING 21

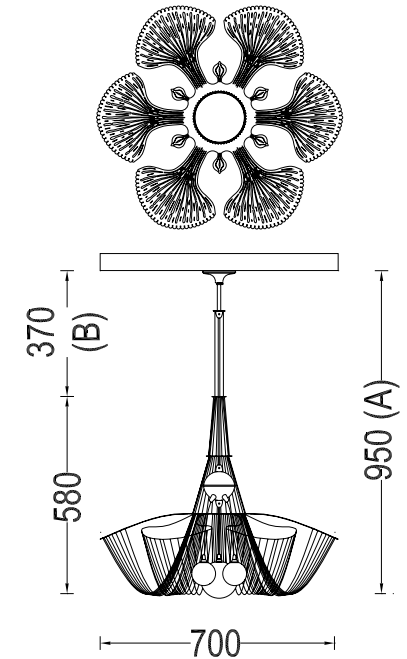
VOLTAGE RANGE  
110 - 240V

PRODUCT MARKS & RATINGS



WEIGHT 6KG  
PACKED 16KG WEIGHT

## TECHNICAL DRAWING



## INTERACT

### SELECT COLOUR

- SILVER \*
- BRASS \*
- COPPER \*
- SMOKE \*
- MIXED METALIC \*
- RUST \*
- WHITE
- RED
- BLACK

\* METALLIC

### CUSTOMISE DIMENSIONS

A

B

### LAMP TYPE

QUANTITY

### ADDITIONAL COMMENTS