

MANDALA NO.1 | MANDALA NO.1 - 1000 | MAND-NO1-1000-S



DESCRIPTION

A massive intense illuminated Mandala sculpture inspired by Islamic patterns which have been translated into three dimensions through the extrusion of the complex interlocking geometry. Made from lasercut stainless steel frames, chrome plated or lacquered solid brass components, ballchain in several optional finishes. Illuminated by suspended G4 Halogen/LED lamps.

PRODUCT SIZE

SHADE SIZE: 1000W X 1920H MM / TOTAL HEIGHT: 2200MM

PACKAGING DIMENSIONS

1140MM(W) X 1140MM(L) X 390MM(H)



LAMP TYPE & NO

24 X G4-HALOGEN 12V 10 WATT LAMPS (240W) OR LED

CLASS III
IP RATING 52
QC RATING 21

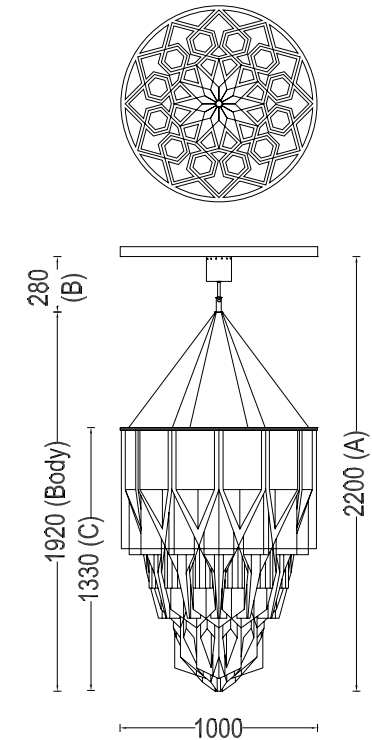
VOLTAGE RANGE
12V

PRODUCT MARKS & RATINGS



WEIGHT 125KG
PACKED 133KG
WEIGHT

TECHNICAL DRAWING



INTERACT

SELECT COLOUR

- SILVER *
- BRASS *
- COPPER *
- SMOKE *
- MIXED METALIC *
- RUST *
- WHITE
- RED
- BLACK

* METALLIC

CUSTOMISE DIMENSIONS

A

B

C

LAMP TYPE

QUANTITY

ADDITIONAL COMMENTS