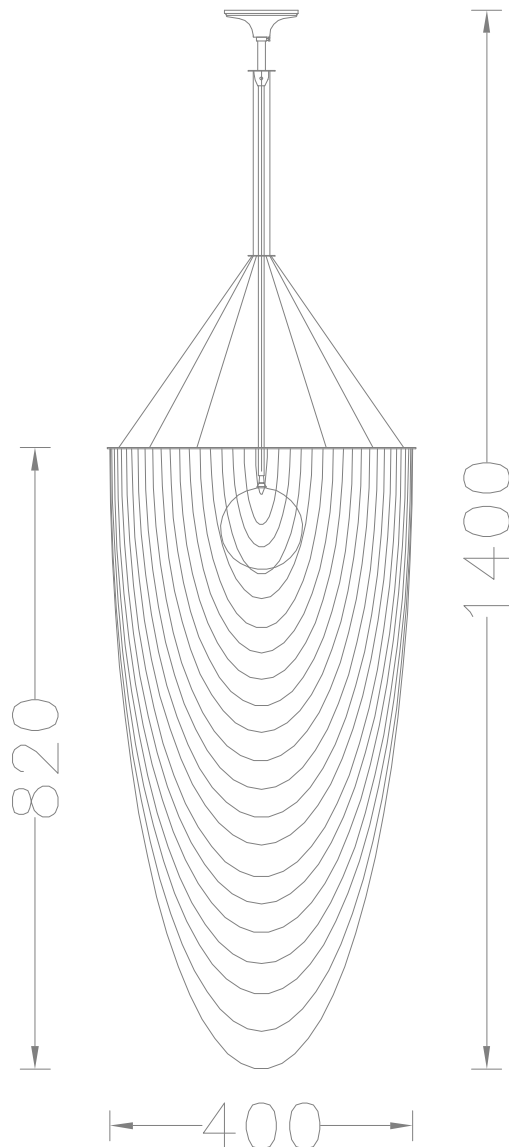
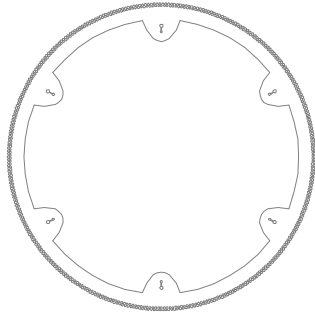


LRG

POD

PENDANT

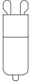


willowlamp



## SPECIFICATION

**LRG RANGE** (400mm diameter)  
**MODEL** (LRG-PEN-POD)  
**Pod Pendant**

*Description* Pendant lamp made with stainless steel frames, chrome plated brass components, 3.2mmØ ballchain (see options chart).

Assembly Code	G9 - Single filament
Class	II
*IP Rating (Protection rating)	54
*QC Rating (Quality rating)	21
Lamp Type & No	1 x G9 Halogen 25~60W 
Voltage Range	110~220V
Weight (packed weight)	4 kg. 5 kg.
Packaging Dimensions	490x540 x 230mm
Chain Colour & Type Options	 Silver Brass Smoke Rust White Red Black
Product Marks	 07

\* See Appendix