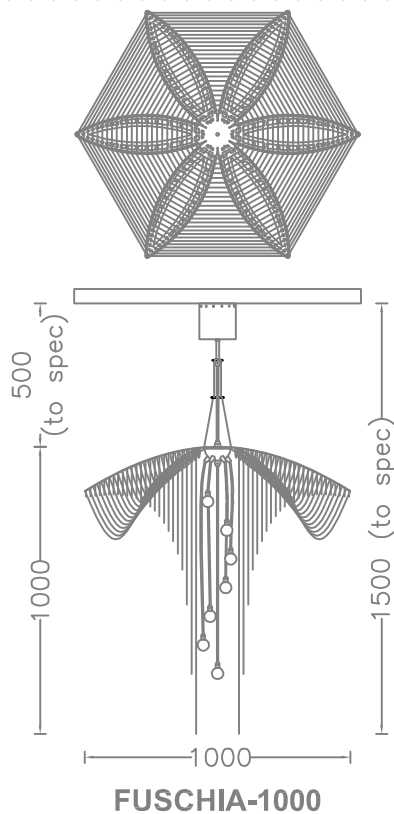


FUSCHIA CHANDELIER 1000

willowlamp



SPECIFICATION

COLLECTION: Fuschia Chandelier
MODEL: FUSCHIA-1000

Fuschia Chandelier 1000mm Dia.

Description Fuschia flower inspired Chandelier made with stainless steel and brass components and 7 dangling Halogen G4 lamps within glass balls.

Assembly Code	P-HALG4-CL-7 - (FUSCHIA-1000)
Class	III
*IP Rating (Protection rating)	52
*QC Rating (Quality rating)	21
Lamp Type & No	7 x G4 Halogen 7 x 20W 140W
Voltage Range	12V
Weight (packed weight)	14 kg. 17 kg.
Packaging Dimensions	1080x1080 x 230mm
Chain Colour & Type Options	
Product Marks	

* See Appendix

TAILORING

A:	Other Notes
B:	
C:	
D:	