

FLOWER OF LIFE | FLOWER OF LIFE - 700 - CEILING MOUNTED | FOLC-700-C



DESCRIPTION

A ceiling mounted chandelier inspired by the sacred geometry known as the 'flower of life'. Made from lasercut stainless steel frames, chrome plated or lacquered, solid brass components and ballchain in several optional finishes. Illuminated by 13 surface mounted G9 Halogen lamps.

PRODUCT SIZE

SHADE SIZE: 700W X 400H MM / TOTAL HEIGHT: 1030MM

PACKAGING DIMENSIONS

810MM(W) X 810MM(L) X 330MM(H)



LAMP TYPE & NO

13 X G9-HALOGEN 18-40 WATT LAMPS (234-520W)
OR LED

CLASS I
IP RATING 20
QC RATING 21

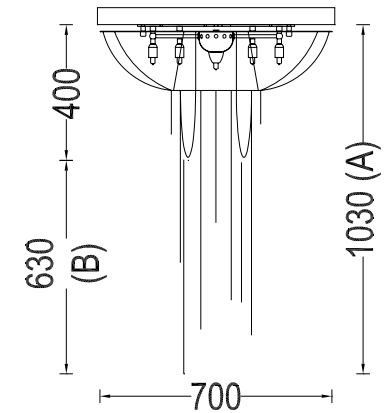
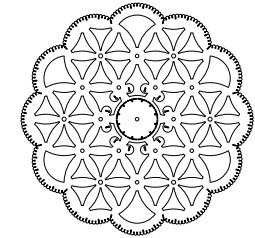
VOLTAGE RANGE
110 - 240V

PRODUCT
MARKS &
RATINGS



WEIGHT 10KG
PACKED 18KG
WEIGHT

TECHNICAL DRAWING



INTERACT

SELECT COLOUR

- SILVER *
- BRASS *
- COPPER *
- SMOKE *
- MIXED METALIC *
- RUST *
- WHITE
- RED
- BLACK

CUSTOMISE DIMENSIONS

A

B

LAMP TYPE

QUANTITY

ADDITIONAL COMMENTS

* METALLIC