

FLOWER OF LIFE | FLOWER OF LIFE - 500 - CEILING MOUNTED | FOLC-500-C



DESCRIPTION

A ceiling mounted chandelier inspired by the sacred geometry known as the 'flower of life'. Made from lasercut stainless steel frames, chrome plated or lacquered, solid brass components and ballchain in several optional finishes. Illuminated by 7 surface mounted G9 Halogen lamps.

PRODUCT SIZE

SHADE SIZE: 500W X 275H MM / TOTAL HEIGHT: 750MM

PACKAGING DIMENSIONS

610MM(W) X 610MM(L) X 330MM(H)



LAMP TYPE & NO

7 X G9-HALOGEN 18-40 WATT LAMPS (126-280W) OR LED

CLASS I

IP RATING 20

QC RATING 21



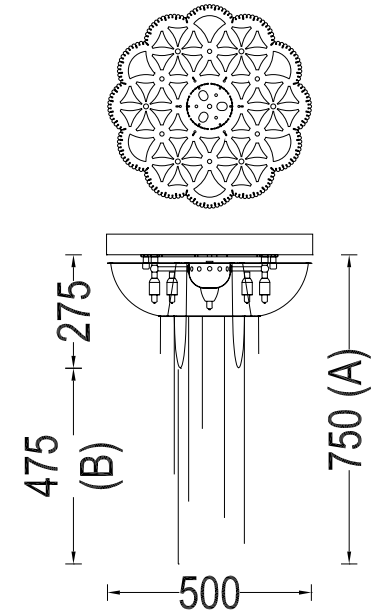
VOLTAGE RANGE
110 - 240V

PRODUCT
MARKS &
RATINGS



WEIGHT 7KG
PACKED 11KG
WEIGHT

TECHNICAL DRAWING



INTERACT

SELECT COLOUR

- SILVER *
- BRASS *
- COPPER *
- SMOKE *
- MIXED METALIC *
- RUST *
- WHITE
- RED
- BLACK

* METALLIC

CUSTOMISE DIMENSIONS

A

B

LAMP TYPE

QUANTITY

ADDITIONAL COMMENTS