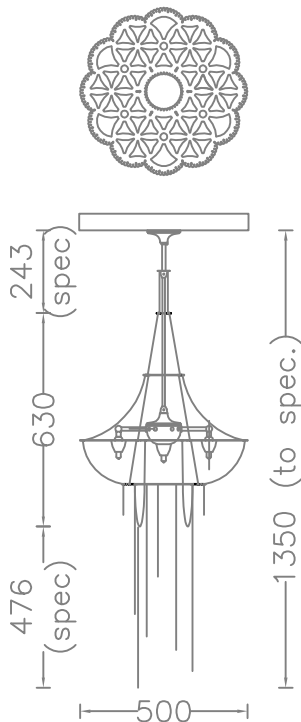


FLOWER OF LIFE CHANDELIER 500

willowlamp



FOLC-500 - CHANDELIER

SPECIFICATION

COLLECTION: Flower Of Life

MODEL: FOLC-500

Flower Of Life Chandelier 500mm Dia.

Description Chandelier made with stainless steel frames, chrome plated brass components, ballchain (see options chart) and 7 fixed Halogen G9 lamps.

Assembly Code	P-HALG9-FIXED-7 - (FOLC-500)
Class	I
*IP Rating (Protection rating)	20
*QC Rating (Quality rating)	21
Lamp Type & No	G9 Halogen 7x25W 175W 
Voltage Range	110-240V
Weight (packed weight)	8kg. 10 kg.
Packaging Dimensions	580x630 x 230mm
Chain Colour & Type Options	 Silver Brass Copper Smoke Rust White Red Black
Product Marks	 

* See Appendix

TAILORING

A:	Other Notes
B:	
C:	
D:	