

FLOWER OF LIFE | FLOWER OF LIFE - 1000 - SUSPENDED | FOLC-1000-S



DESCRIPTION

A suspended chandelier inspired by the sacred geometry known as the 'flower of life'. Made from lasercut stainless steel frames, chrome plated or lacquered, solid brass components and ballchain in several optional finishes. Illuminated by 19 surface mounted G9 Halogen or LED lamps.

PRODUCT SIZE

SHADE SIZE: 1000W X 1175H MM / TOTAL HEIGHT: 2450MM

PACKAGING DIMENSIONS

1140MM(W) X 1140MM(L) X 390MM(H)



LAMP TYPE & NO

19 X G9-HALOGEN 18-40 WATT LAMPS (342-760W)
OR LED

CLASS I

IP RATING 20

QC RATING 21



VOLTAGE RANGE

110 - 240V

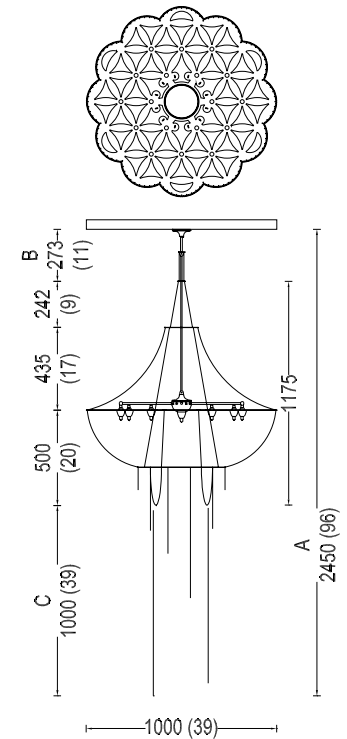
PRODUCT
MARKS &
RATINGS



WEIGHT 20KG

PACKED 34KG
WEIGHT

TECHNICAL DRAWING



INTERACT

SELECT COLOUR

- SILVER *
- BRASS *
- COPPER *
- SMOKE *
- MIXED METALIC *
- RUST *
- WHITE
- RED
- BLACK

* METALLIC

CUSTOMISE DIMENSIONS

A

B

C

LAMP TYPE

QUANTITY

ADDITIONAL COMMENTS