

FLOWER OF LIFE 1000 - CEILING

willowlamp






SPECIFICATION

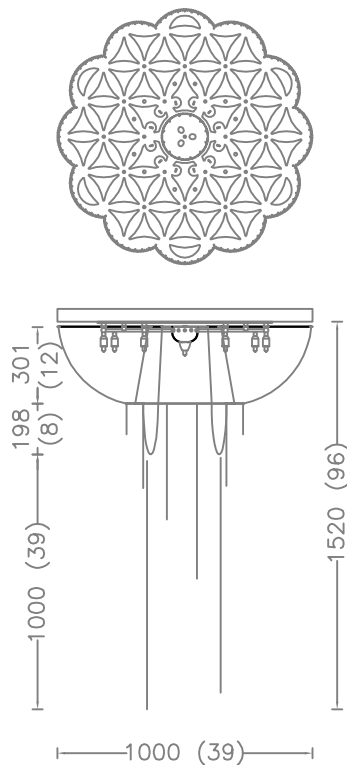
COLLECTION: Flower Of Life - Ceiling
MODEL: FOLC-1000-CEILING

Flower Of Life Chandelier 1000mm Dia.

Description Chandelier made with stainless steel frames, chrome plated brass components, ballchain (see options chart) and 19 fixed Halogen G9 lamps.

Assembly Code	P-HALG9-FIXED-19 - (FOLC-1000-CEILING)	
Class	I	
*IP Rating (Protection rating)	20	
*QC Rating (Quality rating)	21	
Lamp Type & No	19x25W G9 G9 Halogen 475W	
Voltage Range	110~220V	
Weight (packed weight)	25 kg. 29 kg.	
Packaging Dimensions	1080x1080 x 230mm	
Chain Colour & Type Options		
Product Marks		

* See Appendix



FOLC-1000-CEILING CHANDELIER

TAILORING

A:	Other Notes
B:	
C:	
D:	