

# ELONGATED FARAWAY TREE | FARAWAY TREE - ELONGATED - 1600X700 | FAT-ELONG-1600-S



## DESCRIPTION

An elongated chandelier inspired by trees constructed from a bowing 2D graphic metal frame. Made from lasercut stainless steel frames, chrome plated or lacquered, solid brass components and ballchain in several optional finishes. Illuminated by G4 Halogen lamps within 18 suspended glass balls. Suitable for a linear space or over a long table.

## PRODUCT SIZE

SHADE SIZE: 1600X700W X 530H MM / TOTAL HEIGHT: 1000MM

## PACKAGING DIMENSIONS

1760MM(W) X 800MM(L) X 390MM(H)



## LAMP TYPE & NO

18 X G4-HALOGEN 12V 10 WATT LAMPS (180W) OR LED

CLASS III  
IP RATING 52  
QC RATING 21

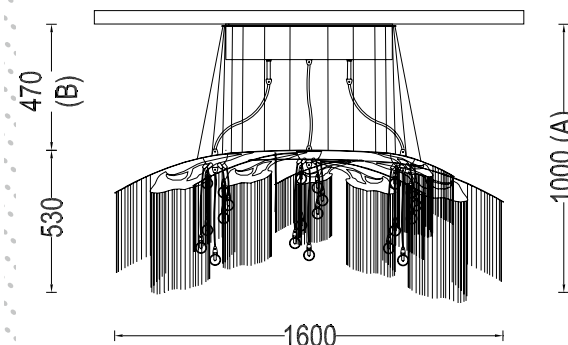
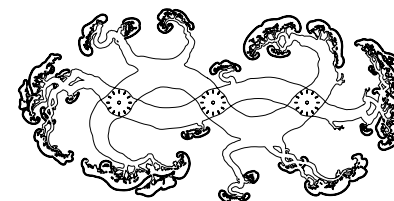
VOLTAGE RANGE  
12V

PRODUCT MARKS & RATINGS



WEIGHT 18KG  
PACKED 35KG WEIGHT

## TECHNICAL DRAWING



## INTERACT

### SELECT COLOUR

- SILVER \*
- BRASS \*
- COPPER \*
- SMOKE \*
- MIXED METALIC \*
- RUST \*
- WHITE
- RED
- BLACK

\* METALLIC

### CUSTOMISE DIMENSIONS

A

B

### LAMP TYPE

QUANTITY

### ADDITIONAL COMMENTS