

FARAWAY TREE CHANDELIERS | FARAWAY TREE - 500 | FAT-500-S



DESCRIPTION

A chandelier inspired by trees constructed from a bowing 2D graphic metal frame. Made from lasercut stainless steel frames, chrome plated or lacquered, solid brass components and ballchain in several optional finishes. Illuminated by 3xGU.10 PAR-16 spotlights housed in a suspended uplighter dish.

PRODUCT SIZE

SHADE SIZE: 500W X 400H MM / TOTAL HEIGHT: 700MM

PACKAGING DIMENSIONS

610MM(W) X 610MM(L) X 330MM(H)



LAMP TYPE & NO

3 X GU.10-HALOGEN 50W (150W) OR LED

CLASS I
IP RATING 20
QC RATING 21

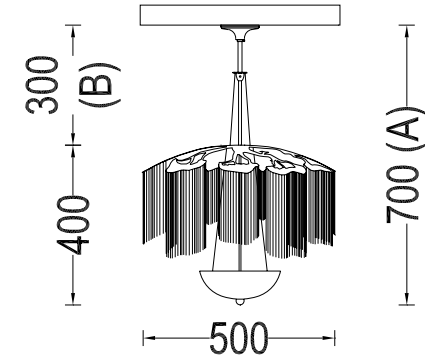
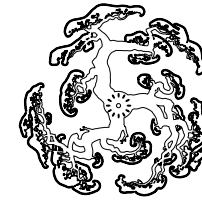
VOLTAGE RANGE
110 - 240V

PRODUCT
MARKS &
RATINGS



WEIGHT 5KG
PACKED 10KG
WEIGHT

TECHNICAL DRAWING



INTERACT

SELECT COLOUR

- SILVER *
- BRASS *
- COPPER *
- SMOKE *
- MIXED METALIC *
- RUST *
- WHITE
- RED
- BLACK

* METALLIC

CUSTOMISE DIMENSIONS

A

B

LAMP TYPE

QUANTITY

ADDITIONAL COMMENTS