

# FARAWAY TREE CHANDELIERS | FARAWAY TREE - 1000 | FAT-1000-S



## DESCRIPTION

A chandelier inspired by trees constructed from a bowing 2D graphic metal frame. Made from lasercut stainless steel frames, chrome plated or lacqured, solid brass components and ballchain in several optional finishes. Illuminated by 3xGU.10 PAR-16 spotlights housed in a suspended uplighter dish.

## PRODUCT SIZE

SHADE SIZE: 1000W X 750H MM / TOTAL HEIGHT: 1200MM

## PACKAGING DIMENSIONS

1140MM(W) X 1140MM(L) X 300MM(H)



## LAMP TYPE & NO

3 X GU.10-HALOGEN 50W (150W) OR LED

CLASS I  
IP RATING 20  
QC RATING 21

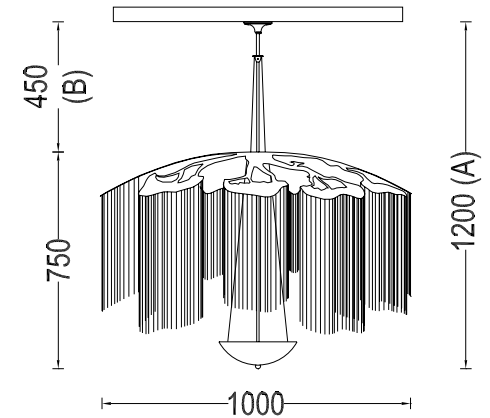
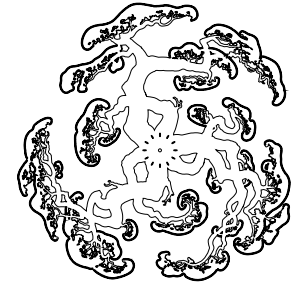
VOLTAGE RANGE  
110 - 240V

PRODUCT  
MARKS &  
RATINGS



WEIGHT 14KG  
PACKED 27KG  
WEIGHT

## TECHNICAL DRAWING



## INTERACT

### SELECT COLOUR

- SILVER \*
- BRASS \*
- COPPER \*
- SMOKE \*
- MIXED METALIC \*
- RUST \*
- WHITE
- RED
- BLACK

\* METALLIC

### CUSTOMISE DIMENSIONS

A

B

### LAMP TYPE

QUANTITY

### ADDITIONAL COMMENTS