

ENCHANTED FARWAY TREE | ENCHANTED FARAWAY TREE - 8 TIER - 1000 | EFAT-8T-1000-S



DESCRIPTION

A sculptural tree art-chandelier constructed from a series of eight (8) bowing, counterbalancing branches hanging from one another down a central 'trunk'. Made from lasercut stainless steel frames, chrome plated or lacquered, solid brass components and ballchain in various finishes. Illuminated by 2 electrical systems one using 8 G9 Halogen lamps at nodes between branches and another using 3xGU.10 PAR-16 spotlights housed in a suspended uplighter dish.

PRODUCT SIZE

SHADE SIZE: 1000W X 2000H MM / TOTAL HEIGHT: 2450MM

PACKAGING DIMENSIONS

1140MM(W) X 1140MM(L) X 490MM(H)



LAMP TYPE & NO

ELECTRICAL 1: 8 X G9-HALOGEN 18-40 WATT LAMPS (144-320W) OR LED - ELECTRICAL 2: 3 X GU.10-HALOGEN 50W (150W) OR LED

CLASS I
IP RATING 20
QC RATING 21

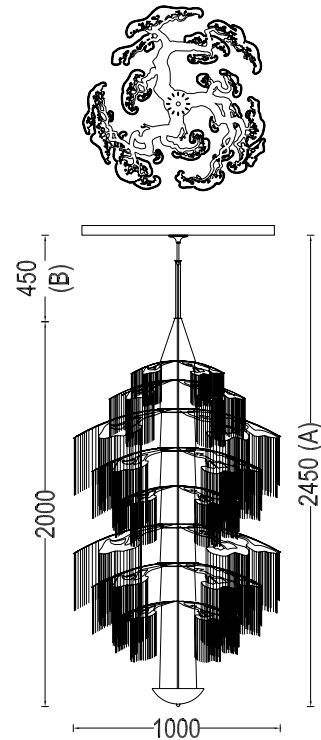
VOLTAGE RANGE
110 - 240V

PRODUCT MARKS & RATINGS



WEIGHT 27KG
PACKED 46KG WEIGHT

TECHNICAL DRAWING



INTERACT

SELECT COLOUR

- SILVER *
- BRASS *
- COPPER *
- SMOKE *
- MIXED METALIC *
- RUST *
- WHITE
- RED
- BLACK

* METALLIC

CUSTOMISE DIMENSIONS

A

B

LAMP TYPE

QUANTITY

ADDITIONAL COMMENTS