

SPIRAL TREES | DOUBLE SPIRAL TREE - SUSPENDED - 1000 | SFAT-DOUBLE-S



DESCRIPTION

A design which is based on part of a massive tree forest installation. This is an evolution of our enchanted faraway tree which fuses all the branches into a single elegant double spiraling frame. Illuminated by 18 surface mounted G4 Halogen or LED lamps as well as a 15m long LED strip.

PRODUCT SIZE

SHADE SIZE: 1200X2000 X 1500H MM / TOTAL HEIGHT: 2200MM

PACKAGING DIMENSIONS

1300MM(W) X 2220MM(L) X 430MM(H)



LAMP TYPE & NO

ELECTRICAL 1: 18 X G4-HALOGEN 12V 10 WATT LAMPS (180W) OR 3W LED. ELECTRICAL 2: 15M LED STRIP-LIGHT WARM WHITE (75W)

CLASS III
IP RATING 52
QC RATING 21

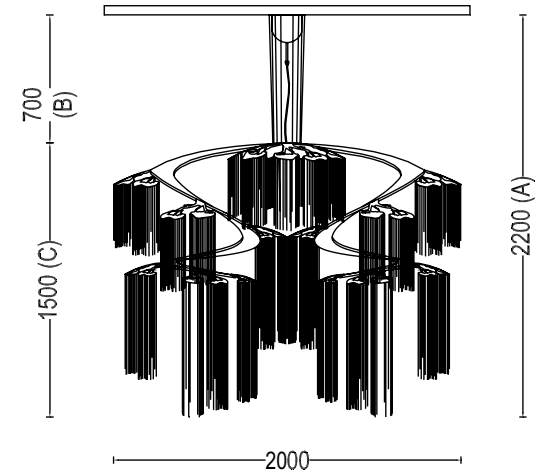
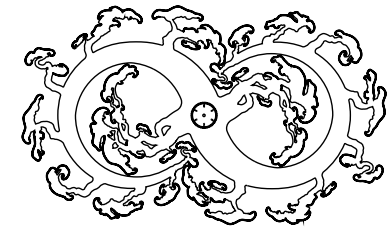
VOLTAGE RANGE
12V

PRODUCT MARKS & RATINGS



WEIGHT 70KG
PACKED 95KG
WEIGHT

TECHNICAL DRAWING



INTERACT

SELECT COLOUR

- SILVER *
- BRASS *
- COPPER *
- SMOKE *
- MIXED METALIC *
- RUST *
- WHITE
- RED
- BLACK

CUSTOMISE DIMENSIONS

A

B

LAMP TYPE

QUANTITY

ADDITIONAL COMMENTS

WEB LINK

* METALLIC