

THREE-TIERED CHANDELEIRS | 3-TIER - 500 - SUSPENDED | 3-TIER-500-S



DESCRIPTION

A suspended chandelier based on a modern classic chandelier design, an arrangement of three semi-transparent cylindrical volumes. Made from lasercut stainless steel frames, chrome plated or lacquered, solid brass components and ballchain in several optional finishes. Illuminated by 7 surface mounted G9 Halogen lamps.

PRODUCT SIZE

SHADE SIZE: 500W X 250H MM / TOTAL HEIGHT: 600MM

PACKAGING DIMENSIONS

610MM(W) X 610MM(L) X 330MM(H)



LAMP TYPE & NO

7 X G9-HALOGEN 18-40 WATT LAMPS (126-280W) OR LED

CLASS I
IP RATING 20
QC RATING 21

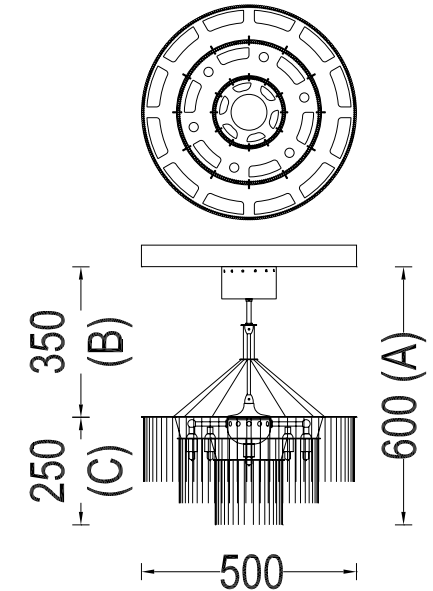
VOLTAGE RANGE
110 - 240V

PRODUCT MARKS & RATINGS



WEIGHT 6KG
PACKED 10KG
WEIGHT

TECHNICAL DRAWING



INTERACT

SELECT COLOUR

- SILVER *
- BRASS *
- COPPER *
- SMOKE *
- MIXED METALIC *
- RUST *
- WHITE
- RED
- BLACK

* METALLIC

CUSTOMISE DIMENSIONS

A

B

C

LAMP TYPE

QUANTITY

ADDITIONAL COMMENTS