

3 TIER CHANDELIER 500

willowlamp







SPECIFICATION

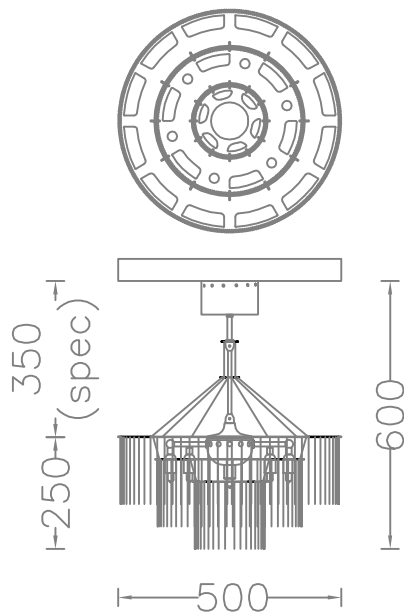
COLLECTION: Three Tier Chandeliers
MODEL: 3-TIER-500

Three Tier Chandelier 500mm Dia.

Description A simple arrangement of 3 concentric cylinders with stainless steel and, brass components and 7 fixed G9 Halogen lamps.

Assembly Code	P-HALG9-FIX-7 - (3-TIER-500)
Class	I
*IP Rating (Protection rating)	20
*QC Rating (Quality rating)	21
Lamp Type & No	G9 Halogen 7 x 25~50W 175~350W 
Voltage Range	110~240V
Weight (packed weight)	14 kg.
Packaging Dimensions	540X540 x 230mm
Chain Colour & Type Options	 Silver Brass Copper Smoke Rust White Red Black
Product Marks	 

* See Appendix



3-TIER-500 Chandelier

TAILORING

A:	Other Notes
B:	
C:	
D:	