

THREE-TIERED CHANDELEIRS | 3-TIER - 1000 - SUSPENDED | 3-TIER-1000-S



DESCRIPTION

A suspended chandelier based on a modern classic chandelier design, an arrangement of three semi-transparent cylindrical volumes. Made from lasercut stainless steel frames, chrome plated or lacqured, solid brass components and ballchain in several optional finishes. Illuminated by 19 surface mounted G9 Halogen lamps.

PRODUCT SIZE

SHADE SIZE: 1000W X 500H MM / TOTAL HEIGHT: 1000MM

PACKAGING DIMENSIONS

1140MM(W) X 1140MM(L) X 390MM(H)



LAMP TYPE & NO

13 X G9-HALOGEN 18-40 WATT LAMPS (234-520W)
OR LED

CLASS I

IP RATING 20

QC RATING 21



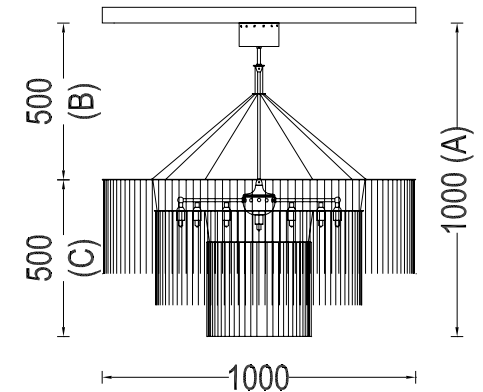
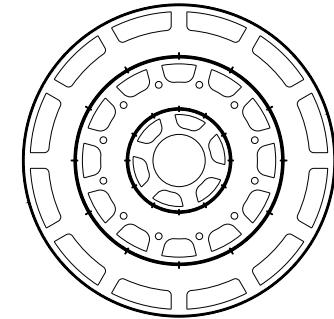
VOLTAGE RANGE
110 - 240V

PRODUCT
MARKS &
RATINGS



WEIGHT 16KG
PACKED 31KG
WEIGHT

TECHNICAL DRAWING



INTERACT

SELECT COLOUR

- SILVER *
- BRASS *
- COPPER *
- SMOKE *
- MIXED METALIC *
- RUST *
- WHITE
- RED
- BLACK

* METALLIC

CUSTOMISE DIMENSIONS

A

B

C

LAMP TYPE

QUANTITY

ADDITIONAL COMMENTS